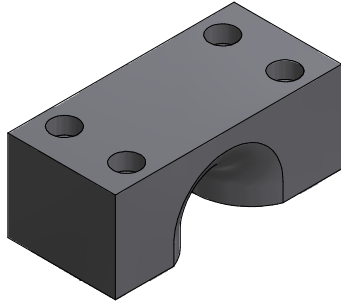


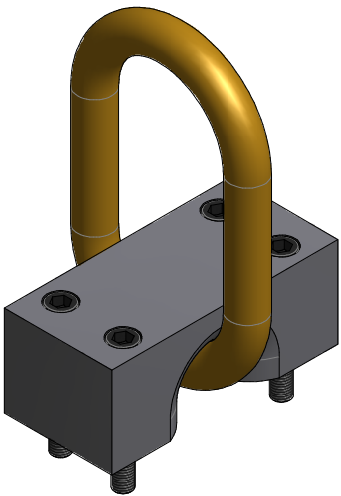
# LIFT BLOCKS



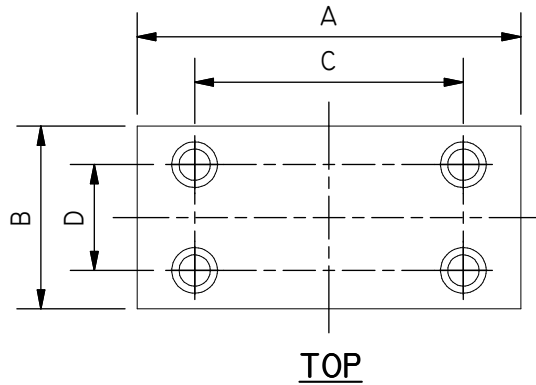
## LB-XX

- ALL MATERIALS, COMPONENTS AND WORKMANSHIP EXCEEDS THE CURRENT ASME B30.20.
- MADE TO ORDER. CALL FOR DELIVERY.

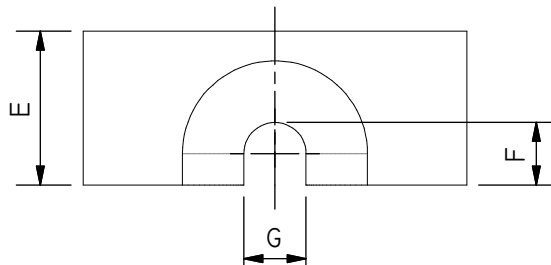
WORKING LOAD LIMIT	STOCK No.	WEIGHT EACH (LBS.)	DIMENSIONS (IN.)							BOLT Ø (IN.)	MASTER LINK (IN.)
			A	B	C	D	E	F	G		
25T	LB-25	44.5	10.0	4.75	7.00	2.75	4.00	1.625	1.625	0.75	1.50
50T	LB-50	98.4	14.00	6.00	9.00	-	5.00	2.125	2.125	1.50	2.00



WORKING LOAD LIMIT	STOCK No.	WEIGHT EACH (KGS.)	DIMENSIONS (MM)							BOLT Ø (IN.)	MASTER LINK (IN.)
			A	B	C	D	E	F	G		
25T	LB-25	20.2	254.0	120.7	177.8	69.9	101.6	41.3	41.3	0.75	1.50
50T	LB-50	44.6	355.6	152.4	228.6	-	127.0	54.0	54.0	1.50	2.00



SIDE 1



SIDE 2