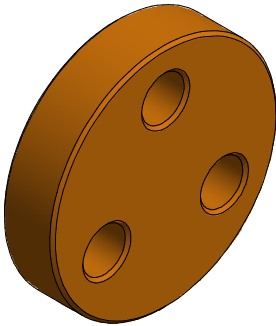


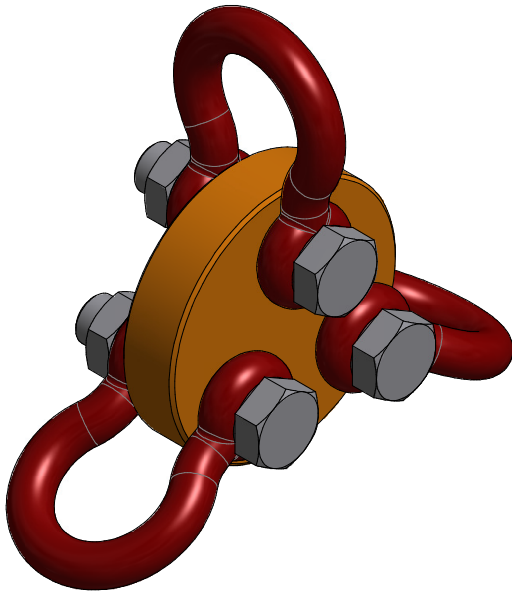
LOAD TRANSFER PLATES

LT-XX

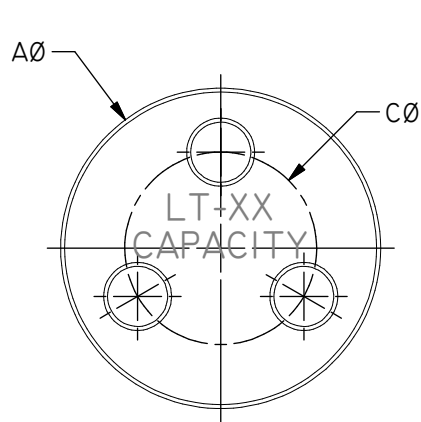
- ALL MATERIALS, COMPONENTS AND WORKMANSHIP EXCEEDS THE CURRENT ASME B30.20.
- MADE TO ORDER. CALL FOR DELIVERY.



WORKING LOAD LIMIT	STOCK No.	WEIGHT EACH (LBS.)	DIMENSIONS (IN.)			SHACKLE (IN.)
			A	B	C	
9,500LBS.	LT-10	5.6	5.00	1.125	3.00	0.875
13,000LBS.	LT-13	6.5	5.00	1.375	3.00	1.00
17,000LBS.	LT-17	10.6	6.00	1.50	3.25	1.125



WORKING LOAD LIMIT	STOCK No.	WEIGHT EACH (KGS.)	DIMENSIONS (MM)			SHACKLE (IN.)
			A	B	C	
4,300KGS.	LT-10	2.5	127.0	28.6	76.2	0.875
5,900KGS.	LT-13	2.9	127.0	34.9	76.2	1.00
7,700KGS.	LT-17	4.8	152.4	38.1	82.6	1.125



FRONT



SIDE